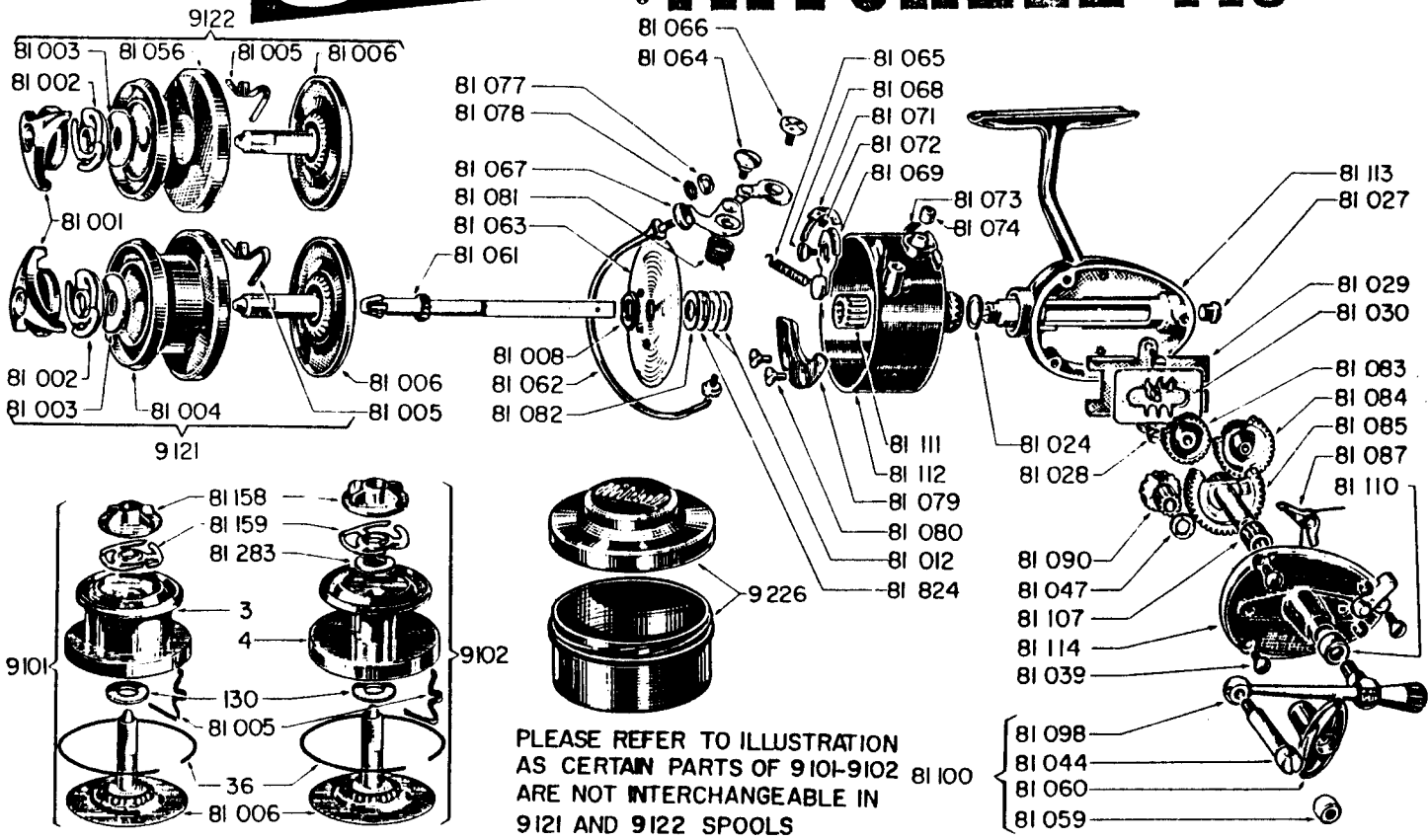


Garcia MITCHELL 440



Prices subject to change without notice

*Use only the number of shims required for smoothest performance

No.	Part Name	Price	No.	Part Name	Price	No.	Part Name	Price
3	Spool Shell, Small (9101)	1.25	81027 (15)	Lube Port Screw	.10	81077 (76)	Bail Wire Lock Nut	.10
4	Spool Shell, Large (9102)	1.85	81028 (28)	Oscillation Guide Screw (ea.)	.05	81078 (70)	Bail Wire Lock Washer	.05
36	Line Clip (9101) (9102)	.10	81029 (29)	Oscillation Guide	.30	81079 (223)	Counterweight	.45
130	Teflon Base Washer (9101) (9102)	.10	81030 (27)	Oscillation Slide	.45	81080 (222)	Counterweight Screw (ea.)	.10
9121 (113)	Spool Complete Small, less container	2.75	81039 (14)	Cover Screw (ea.)	.10	81081 (69)	Bail Spring	.15
9122 (114)	Spool Complete Large, less container	2.75	81044 (58)	Handle Knob Screw	.10	81082 (227)	Keyed Washer	.10
9226	Spool Container	.60	*81047 (51)	Shims To Adjust Pinion Gear (set of 2)	.20	81083 (30R)	Pivot Gear	.75
9231	Combination Tool	1.10	81056 (109)	Spool Shell Large (9122)	2.00	81084 (31R)	Transfer Gear	.50
81001 (112)	Drag Adjusting Knob (9121) (9122)	.25	81059 (107)	Knob Lube Port	.10	81085 (25R)	Drive Gear	1.25
81002 (111)	Brake Spring (9121) (9122)	.30	81060 (119)	Handle Knob	.50	81087 (24R)	Anti Reverse Dog	.25
81003 (135)	Teflon Drag Washer (9121) (9122)	.10	81061 (77)	Axle	.80	81090 (26R)	Pinion Gear	.75
81004 (110)	Spool Shell, Small (9121)	1.10	81062 (74)	Bail Wire	2.00	81098 (117)	Handle Shank	1.40
81005 (38B)	Click Spring	.10	81063 (225)	Baffle Plate	.50	81100 (118)	Handle Complete	2.00
81006 (6)	Spindle	1.00	81064 (62)	Bail Pivot Screw	.25	81107 (201)	Coverplate Bearing	.50
81008 (35)	Hex Nut	.10	81065 (63)	Trip Lever Spring	.10	81110 (202)	Dust Shield	.20
*81012 (79)	Shims To Adjust Head and Baffle Plate (set of 3)	.30	81066 (64)	Bail Mount Screw	.25	81111 (204)	Rotating Head Bearing	.50
*81024 (49A)	Shims To Adjust Head and Housing (set of 3)	.30	81067 (68)	Bail Wire Mount	2.00	81112 (221)	Rotating Head	4.75
			81068 (65)	Trip Lever Screw	.10	81113 (226)	Housing	4.00
			81069 (66)	Trip Lever	.75	81114 (220)	Coverplate	3.25
			81071 (71)	Bail Lock Spring	.10	81158 (1)	Drag Adjusting Knob (9101) (9102)	.20
			81072 (72)	Bail Lock Screw	.05	81159 (2)	Brake Spring (9101) (9102)	.50
			81073 (73)	Bail Lock Button	.25	81283 (5)	Fibre Drag Washer (9102)	.10
			81074 (81)	Bail Mount Bearing	.10	81824 (48)	Baffle Plate Washer	.10

PARTS AND SERVICE AVAILABLE AT THE FOLLOWING REGIONAL FACTORY REPAIR DEPOTS:

**FACTORY SERVICE
RODS, REELS AND PARTS**

**THE GARCIA SERVICE DEPARTMENT
329 ALFRED AVENUE
TEANECK, NEW JERSEY 07666**

**THE CONOLON CORPORATION
1111 EAST McFADDEN STREET
SANTA ANA, CALIFORNIA 92705**

**SILICOTE SALES DIVISION
520 WEST 14th AVENUE
OSHKOSH, WISCONSIN 54902**

**J. K. CLARK COMPANY
ACO SPORTSMEN SERVICE
13501 VAN DYKE
DETROIT, MICHIGAN 48234**

REEL SERVICE AND PARTS

**NATE BUELL SERVICE CORPORATION
5013 N.E. 42nd STREET
PORTLAND, OREGON 97218**

**HARRY C. MILLER CO., INC.
257 PARK AVENUE SOUTH
NEW YORK, NEW YORK 10010**

**SHERMAN LOYD SALES COMPANY
4737 GREENVILLE AVENUE
DALLAS, TEXAS 75206**