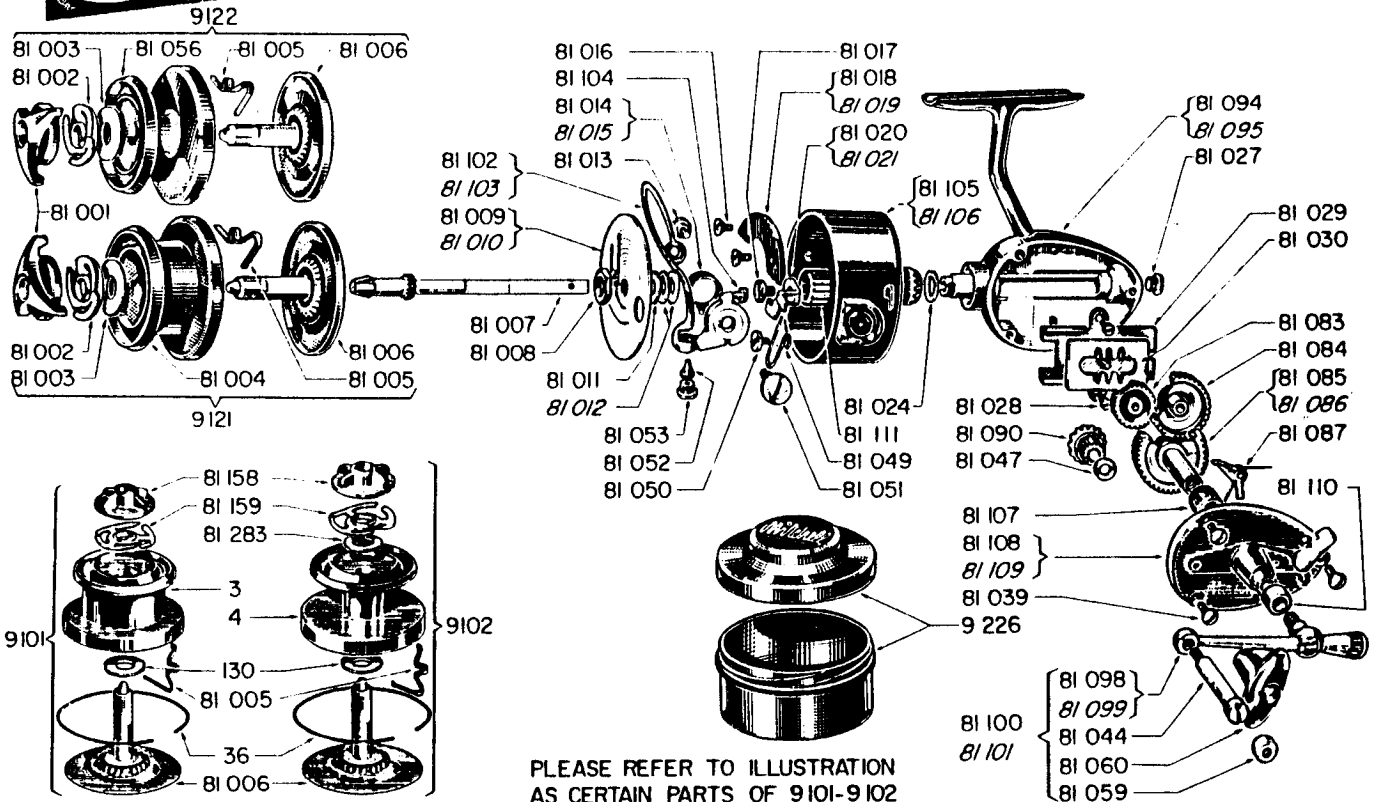


Garcia MITCHELL 410-411



Prices subject to change without notice
Items in red for left hand model 411

*Use only the number of shims required for smoothest performance

No.	Part Name	Price	No.	Part Name	Price	No.	Part Name	Price
3	Spool Shell, Small (9101)	1.25	81014 (43)	Bail Spring (410)	.15	81084 (31R)	Transfer Gear	.50
4	Spool Shell, Large (9102)	1.85	81015 (43L)	Bail Spring (411)	.15	81085 (25R)	Drive Gear (410)	1.25
36	Line Clip (9101) (9102)	.10	81016 (97)	Counterweight Screw (ea.)	.10	81086 (25R)	Drive Gear (411)	1.25
130	Teflon Base Washer (9101) (9102)	.10	81017 (45)	Trip Lever Screw	.10	81087 (24R)	Anti Reverse Dog	.25
9121	Spool Complete Small, Less Container	2.75	81018 (96)	Counterweight (410)	.45	81090 (26R)	Pinion Gear	.75
9122	Spool Complete Large, Less Container	2.75	81019 (96L)	Counterweight (411)	.45	81094 (125)	Housing (410)	3.50
9226	Spool Container	.60	81020 (42)	Trip Lever (410)	.25	81095 (125L)	Housing (411)	3.50
9231	Combination Tool	1.10	81021 (42L)	Trip Lever (411)	.25	81098 (117)	Handle Shank (410)	1.40
81001 (112)	Drag Adjusting Knob (9121) (9122)	.25	*81024 (49A)	Shims To Adjust Head and Housing (set of 3)	.30	81099 (117L)	Handle Shank (411)	1.40
81002 (111)	Brake Spring (9121) (9122)	.30	81027 (15)	Knob Lube Port	.10	81100 (118)	Handle, Complete. (410)	2.00
81003 (135)	Teflon Drag Washer (9121) (9122)	.10	81028 (28)	Oscillation Guide Screw (ea.)	.05	81101 (118L)	Handle, Complete (411)	2.00
81004 (110)	Spool Shell, Small (9121)	1.10	81029 (29)	Oscillation Guide	.30	81102 (120)	Bail (410)	2.60
81005 (38B)	Click Spring	.10	81030 (27)	Oscillation Slide	.45	81103 (120L)	Bail (411)	2.60
81006 (6)	Spindle	1.00	81039 (14)	Cover Screw (ea.)	.10	81104 (122)	Bail Bumper	.10
81007 (7)	Axle	.75	81044 (100)	Handle Knob Screw	.10	81105 (203)	Rotating Head (410)	3.50
81008 (35)	Hex Nut	.10	*81047 (51)	Shims To Adjust Pinion Gear (set of 2)	.20	81106 (203L)	Rotating Head (411)	3.50
81009 (41)	Baffle Plate (410)	.40	81049 (44)	Trip Lever Spring	.10	81107 (201)	Cover Plate Bearing	.50
81010 (41L)	Baffle Plate (411)	.40	81050 (50)	Trip Lever Spring Screw	.05	81108 (200)	Cover Plate (410)	3.25
81011 (48)	Baffle Plate Washer	.10	81051 (46)	Bail Screw No. 1	.20	81109 (200L)	Cover Plate (411)	3.25
*81012 (49B)	Shims To Adjust Head and Baffle Plate (set of 3)	.30	81052 (13)	Line Guide	.75	81110 (202)	Dust Shield	.20
81013 (47)	Bail Screw No. 2	.15	81053 (12)	Line Guide Screw	.10	81111 (204)	Rotating Head Bearing	.50
			81056 (109)	Spool Shell, Large (9121)	2.00	81158 (1)	Drag Adjusting Knob (9101) (9102)	.20
			81059 (107)	Knob Lube Port	.10	81159 (2)	Brake Spring (9101) (9102)	.25
			81060 (84)	Handle Knob	.50	81283 (5)	Fibre Drag Washer (9102)	.10
			81083 (30R)	Pivot Gear	.75			

Please specify both reel model and part numbers when ordering.

PARTS AND SERVICE AVAILABLE AT THE FOLLOWING REGIONAL FACTORY REPAIR DEPOT

REEL SERVICE AND PARTS SHERMAN LOYD SALES COMPANY 4737 GREENVILLE AVENUE DALLAS, TEXAS 75206	HARRY C. MILLER CO., INC. 257 PARK AVENUE SOUTH NEW YORK, NEW YORK 10010	NATE BUELL SERVICE CORPORATION 5013 N. E. 42nd STREET PORTLAND, OREGON 97218
RODS, REELS AND PARTS SERVICE THE GARCIA SERVICE DEPARTMENT 329 ALFRED AVENUE TEANECK, NEW JERSEY 07666	THE CONOLON CORPORATION 1111 EAST McFADDEN STREET SANTA ANA, CALIFORNIA 92705	SILICOTE SALES DIVISION 520 WEST 14th AVENUE OSHKOSH, WISCONSIN 54902
		J. K. CLARK COMPANY ACO SPORTSMEN SERVICE 13501 VAN DYKE DETROIT, MICHIGAN 48234