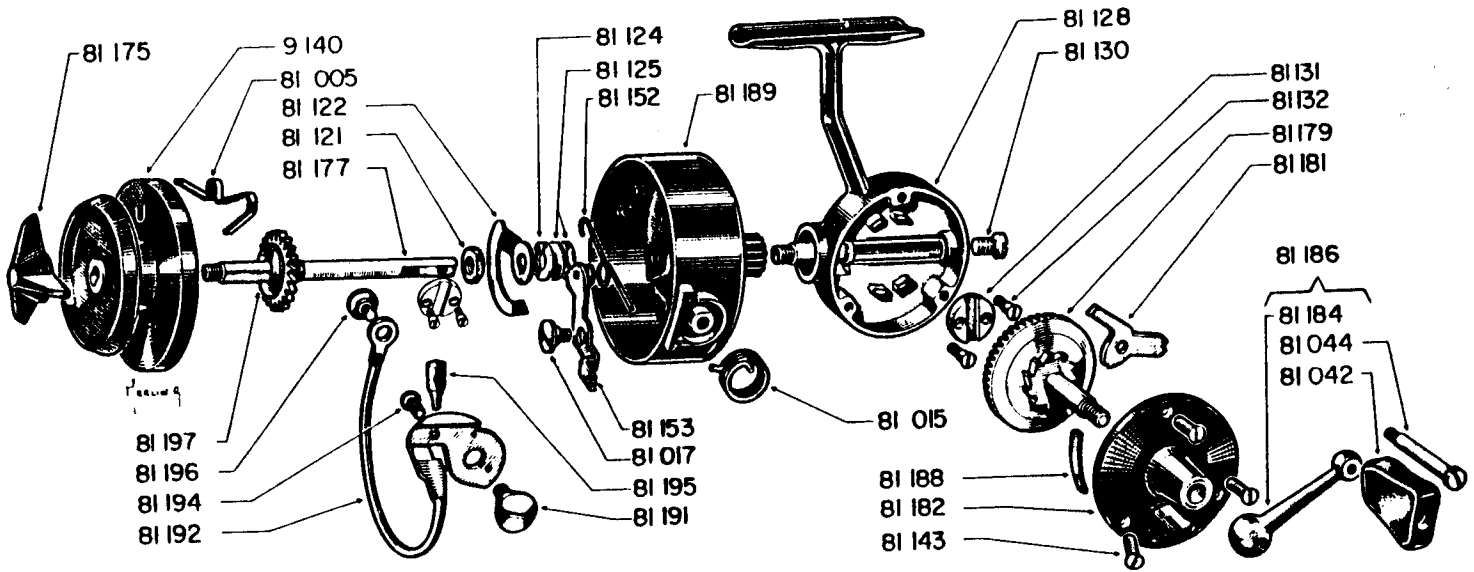


garcia MITCHELL 340



Prices subject to change without notice

No.	Part Name	Price
9140 (1)	Spool, Standard	1.75
81005 (41)	Click Spring	.10
81015 (28)	Bail Spring	.15
81017 (45)	Trip Lever Screw	.10
81042 (101)	Handle Knob	.25
81044 (100)	Handle Knob Screw	.10
81121 (4)	Hex Nut	.10
81122 (5)	Bail Trip	.25
81124 (26)	Bail Trip Washer	.10
81125 (29)	Shims To Adjust Rotating Head (set of 3)	.30

No.	Part Name	Price
81128 (11)	Housing	3.50
81130 (40)	Lube Port Screw	.10
81131 (13)	Oscillation Slide	.15
81132 (14)	Oscillation Slide Screw (ea.)	.05
81443 (18)	Cover Screw (ea.)	.10
81152 (9)	Trip Lever Spring	.10
81153 (6)	Trip Lever	.30
81175 (8)	Drag Adjusting Knob	.15
81177 (3)	Axle	.75
81179 (15)	Drive Gear	1.50
81181 (16)	Anti Reverse Lever	.15

Please specify both reel model and part numbers when ordering.

No.	Part Name	Price
81182 (17)	Coverplate	1.75
81184 (19)	Handle Shank	.75
81186 (20)	Handle Complete	1.25
81188 (22)	Anti Reverse Lever Spring	.10
81189 (10)	Rotating Head	3.25
81191 (21)	Bail Screw No. 1	.15
81192 (32)	Bail	2.25
81194 (31)	Line Guide Screw	.10
81195 (7)	Line Guide	.40
81196 (33)	Bail Screw No. 2	.15
81197 (27)	Drag Washer	.10

PARTS AND SERVICE AVAILABLE AT THE FOLLOWING REGIONAL FACTORY REPAIR DEPOTS:

FACTORY SERVICE
RODS, REELS AND PARTS

THE GARCIA SERVICE DEPARTMENT
329 ALFRED AVENUE
TEANECK, NEW JERSEY 07666

THE CONOLON CORPORATION
1111 EAST McFADDEN STREET
SANTA ANA, CALIFORNIA 92705

SILICOTE SALES DIVISION
520 WEST 14th AVENUE
OSHKOSH, WISCONSIN 54902

J. K. CLARK COMPANY
ACO SPORTSMEN SERVICE
13501 VAN DYKE
DETROIT, MICHIGAN 48234

REEL SERVICE AND PARTS

NATE BUELL SERVICE CORPORATION
5013 N.E. 42nd STREET
PORTLAND, OREGON 97218

HARRY C. MILLER CO., INC.
257 PARK AVENUE SOUTH
NEW YORK, NEW YORK 10010

SHERMAN LOYD SALES COMPANY
4737 GREENVILLE AVENUE
DALLAS, TEXAS 75206