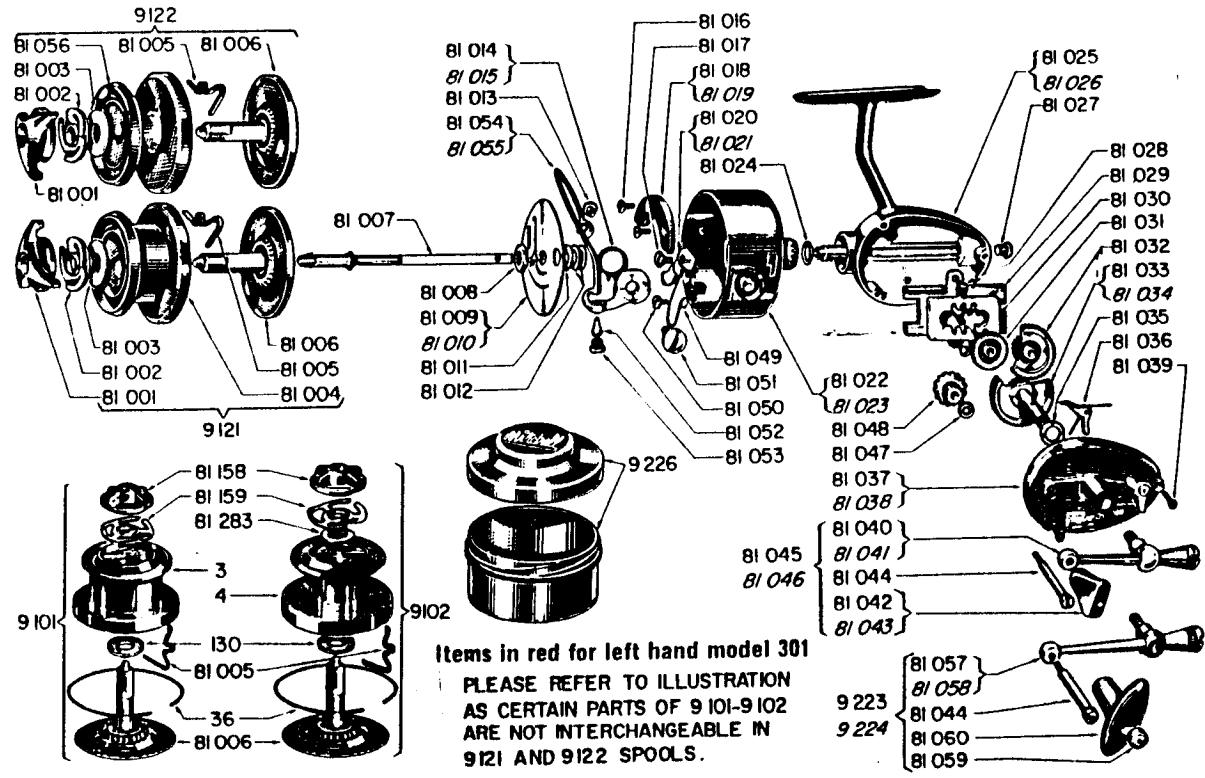


Garcia MITCHELL 300-301



Prices subject to change without notice

*Use only the number of shims required for smoothest performance

No.	Part Name	Price	No.	Part Name	Price
3	Spool Shell, Small (9101)	1.25	81013 (47)	Bail Screw No. 2	.15
4	Spool Shell, Large (9102)	1.85	81014 (43)	Bail Spring (300)	.15
36	Line Clip (9101) (9102)	.10	81015 (43L)	Bail Spring (301)	.15
130	Teflon Base Washer (9101) (9102)	.10	81016 (97)	Counterweight Screw (ea.)	.10
9121 (113)	Spool Complete Small, less container	2.75	81017 (45)	Trip Lever Screw	.10
9122 (114)	Spool Complete Large, less container	2.75	81018 (96)	Counterweight (300)	.45
9223 (849)	Accessory Handle, Torpedo Knob (300)	2.25	81019 (96L)	Counterweight (301)	.45
9224 (849L)	Accessory Handle, Torpedo Knob (301)	2.25	81020 (42)	Trip Lever (300)	.25
9226	Spool Container	.60	81021 (42L)	Trip Lever (301)	.25
9231	Combination Tool	1.10	81022 (39)	Rotating Head (300)	3.50
81001 (112)	Drag Adjusting Knob (9121) (9122)	.25	81023 (39L)	Rotating Head (301)	3.50
81002 (111)	Brake Spring (9121) (9122)	.30	*81024 (49A)	Shims To Adjust Head and Housing (set of 3)	.30
81003 (135)	Teflon Drag Washer (9121) (9122)	.10	81025 (34)	Housing (300)	3.50
81004 (110)	Spool Shell, small (9121)	1.10	81026 (34L)	Housing (301)	3.50
81005 (38B)	Click Spring	.10	81027 (15)	Lube Port Screw	.10
81006 (6)	Spindle	1.00	81028 (28)	Oscillation Guide Screw (ea.)	.05
81007 (7)	Axle	.75	81029 (29)	Oscillation Guide	.30
81008 (35)	Hex Nut	.10	81030 (27)	Oscillation Slide	.45
81009 (41)	Baffle Plate (300)	.40	81031 (30)	Pivot Gear	.45
81010 (41L)	Baffle Plate (301)	.40	81032 (31)	Transfer Gear	.45
81011 (48)	Baffle Plate Washer	.10	81033 (25)	Drive Gear (300)	1.25
*81012 (49B)	Shims to Adjust Head and Baffle Plate (set of 3)	.30	81034 (25L)	Drive Gear (301)	1.25
			*81035 (54)	Shims To Adjust Drive Gear (Optional) (set of 2)	.20
			81036 (24)	Anti Reverse Dog	.25
			81037 (32)	Cover Plate (300)	2.50
			81038 (32L)	Cover Plate (301)	2.50
			81039 (14)	Cover Screw (ea.)	.10

Please specify both reel model and part numbers when ordering.

No.	Part Name	Price
81040 (90)	Handle Shank (300)	1.25
81041 (90L)	Handle Shank (301)	1.25
81042 (56)	Handle Knob (300)	.25
81043 (56L)	Handle Knob (301)	.25
81044 (57)	Handle Knob Screw	.10
81045 (16B)	Handle Complete, Standard (300)	1.50
81046 (16LB)	Handle Complete, Standard (301)	1.50
*81047 (51)	Shims To Adjust Pinion Gear (set of 2)	.20
81048 (26)	Pinion Gear	.65
81049 (44)	Trip Lever Spring	.10
81050 (50)	Trip Lever Spring Screw	.05
81051 (46)	Bail Screw No. 1	.20
81052 (13)	Line Guide	.75
81053 (12)	Line Guide Screw	.10
81054 (40)	Bail (300)	2.50
81055 (40L)	Bail (301)	2.50
81056 (109)	Spool Shell, Large (9122)	2.00
81057 (85)	Handle Shank (300) (9223)	1.50
81058 (85L)	Handle Shank (301) (9224)	1.50
81059 (107)	Knob Lube Port (9223) (9224)	.10
81060 (84)	Handle Knob (9223) (9224)	.50
81158 (1)	Drag Adjusting Knob (9101) (9102)	.20
81159 (2)	Brake Spring (9101) (9102)	.25
81283 (5)	Fibre Drag Washer (9102)	.10

PARTS AND SERVICE AVAILABLE AT THE FOLLOWING REGIONAL FACTORY REPAIR DEPOT

REEL SERVICE AND PARTS SHERMAN LOYD SALES COMPANY 4737 GREENVILLE AVENUE DALLAS, TEXAS 75206	HARRY C. MILLER CO., INC. 257 PARK AVENUE SOUTH NEW YORK, NEW YORK 10010	NATE BUELL SERVICE CORPORATION 5013 N. E. 42nd STREET PORTLAND, OREGON 97218
RODS, REELS AND PARTS SERVICE THE GARCIA SERVICE DEPARTMENT 329 ALFRED AVENUE TEANECK, NEW JERSEY 07686	THE CONOLON CORPORATION 1111 EAST McFADDEN STREET SANTA ANA, CALIFORNIA 92705	SILICOTE SALES DIVISION 520 WEST 14th AVENUE OSHKOSH, WISCONSIN 54902
		J. K. CLARK COMPANY ACO SPORTSMEN SERVICE 13501 VAN DYKE DETROIT, MICHIGAN 48234